

9 October 2015

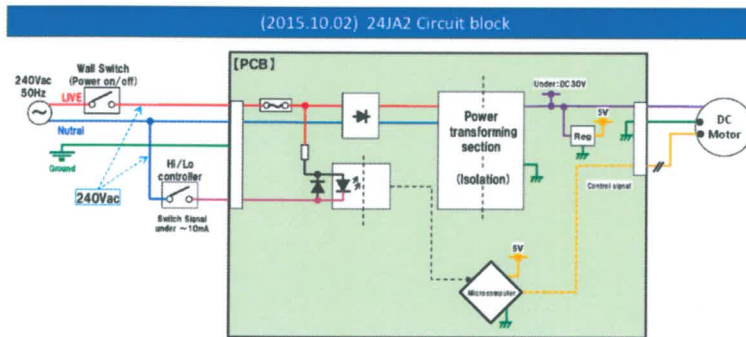
Panasonic Australia Pty. Ltd.,  
Ground Floor, 4 Nexus Court  
Mulgrave Vic 3170  
Australia

Dear Paul

### Exhaust Fan Switching Model No.: FV-24 series

Please note that after reviewing the supplied documentation our opinion is as follows.

- The "Hi/Lo" switch is a "functional switch" (reference AS/NZS 3000 Wiring Rules Clause 2.3.7. It is required for operational control only and not for safety reasons (Cl. 2.3.7.1).
- Functional switching devices need not switch all active conductors of a circuit (Cl. 2.3.7.2).



**(Notes)**

- Wall switch is on / off switch of 240Vac.
- Hi / Lo controller is a switch for signal processing.
- DC motor is connected to the isolation power supply.

If you need any further information or need to discuss this letter please don't hesitate to contact our office.

Yours sincerely



**For and on behalf of  
SAA Approvals Pty Ltd**

ABN 91 125 451 327

P +61 7 3393 9455

F +61 7 3393 9499

E info@saaapprovals.com.au

W www.saaapprovals.com.au

PO Box 189, Cannon Hill QLD 4170  
5/20 Rivergate Place, Murarie QLD 4172